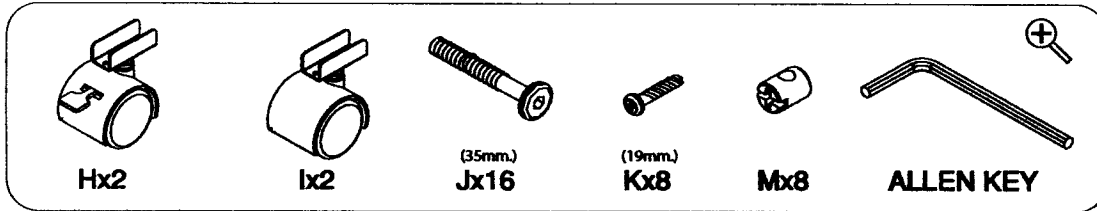
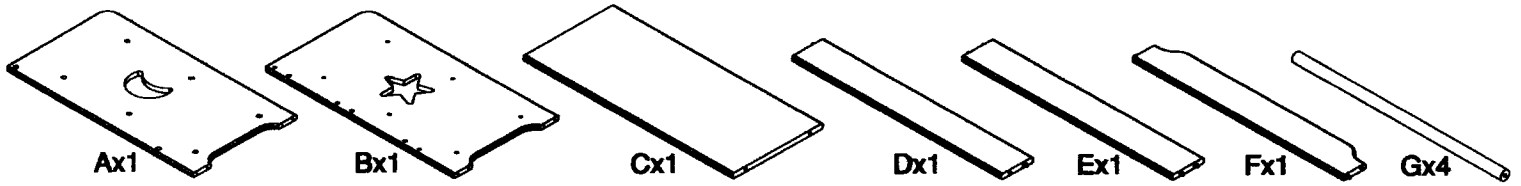


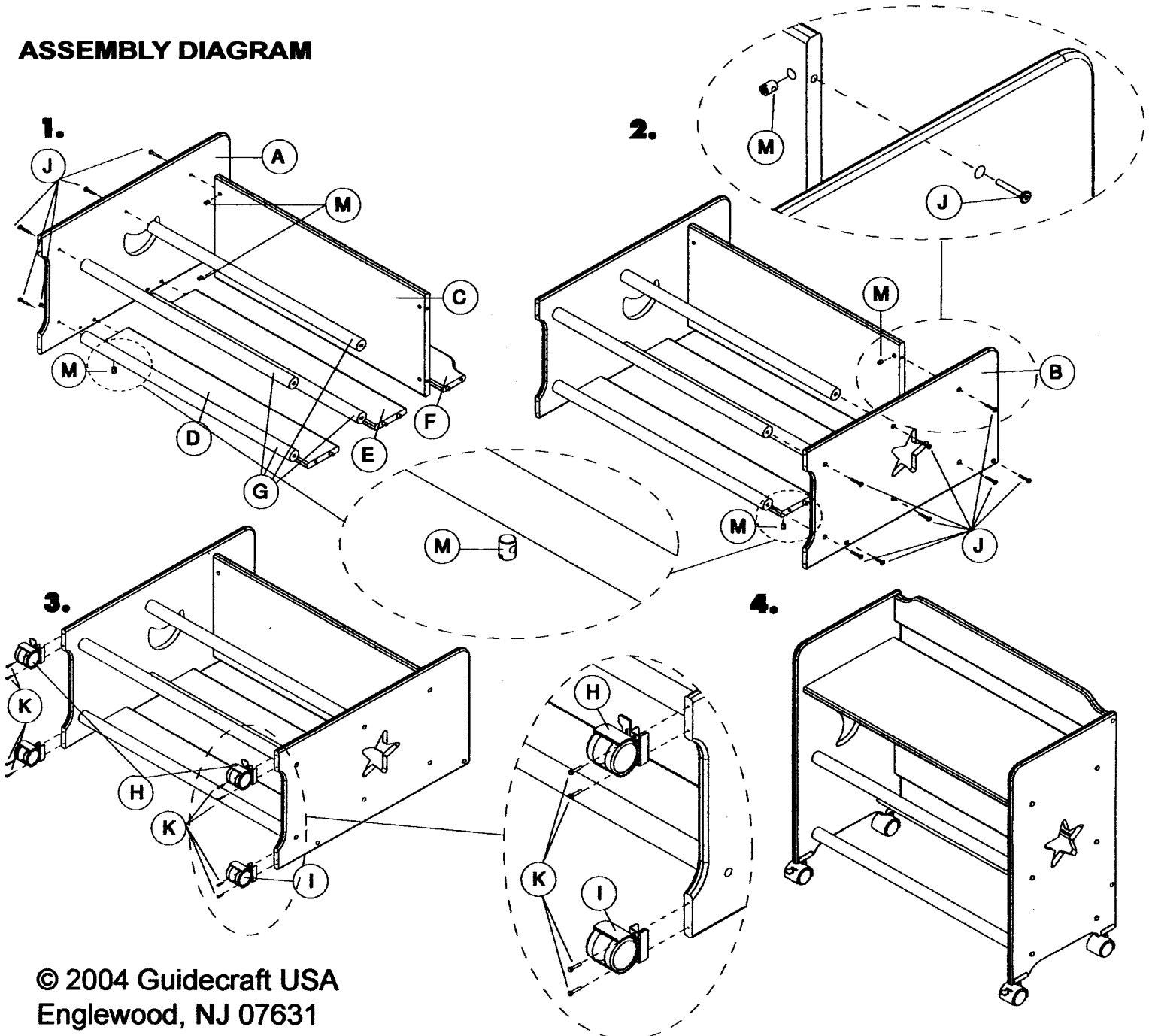
G98046

SEE, STORE AND TAKE ALONG

PARTS LIST



ASSEMBLY DIAGRAM



© 2004 Guidecraft USA
Englewood, NJ 07631
(800)524-3555
www.Guidecraft.com

▲ WARNING
Small parts and sharp points may be present
prior to assembly.

For ages 3 and up.
Adult assembly required.