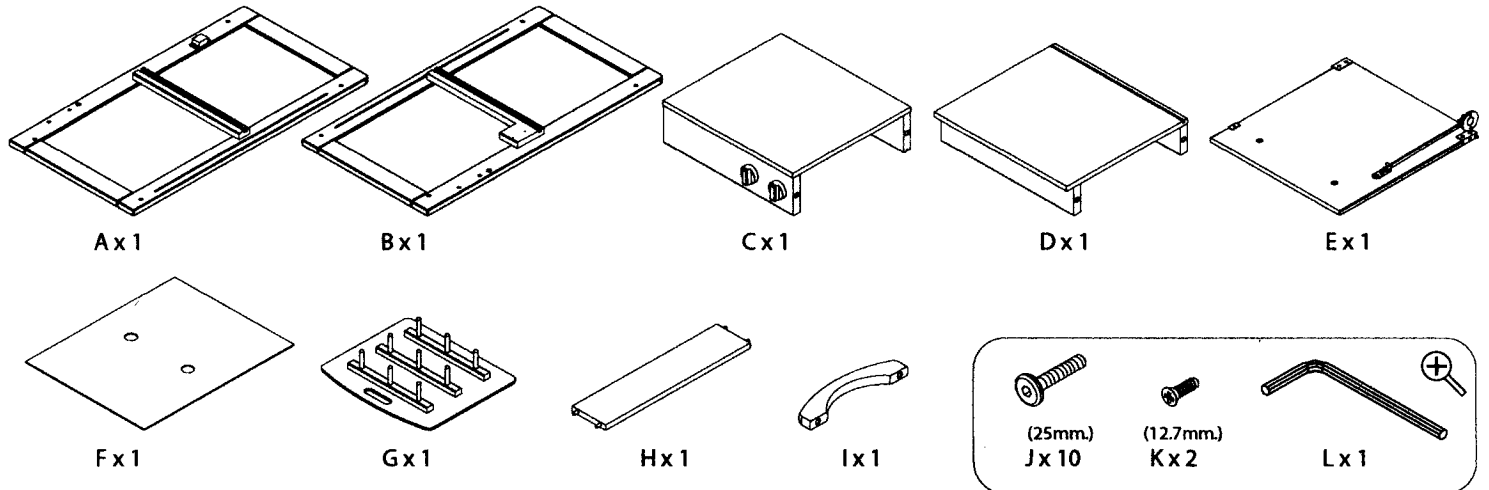


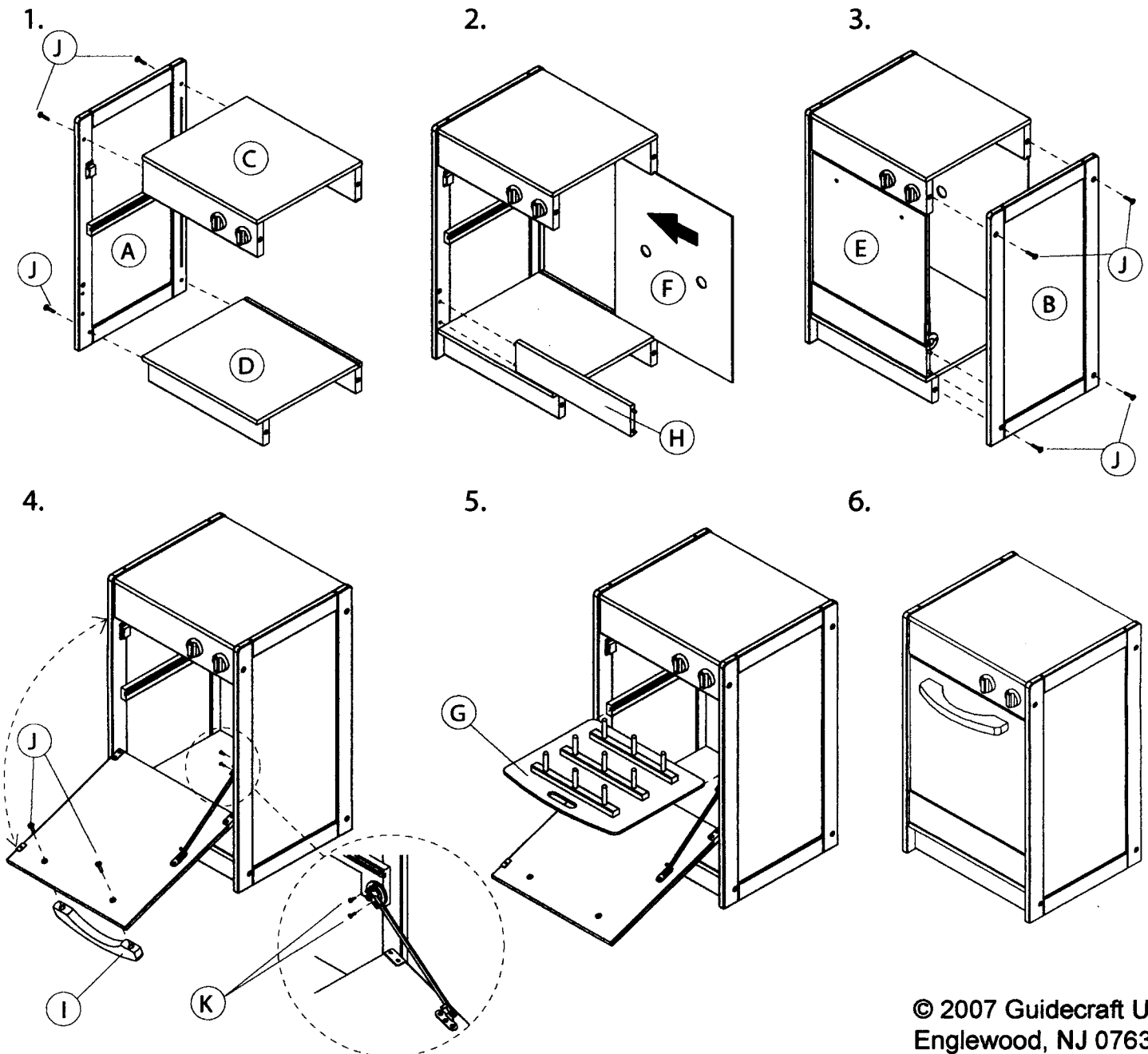
G 97264

# COLOR BRIGHT DISH WASHER

## PARTS LIST



## ASSEMBLY DIAGRAM



**▲ WARNING**  
Small parts and sharp points may be present prior to assembly.

For ages 3 and up.  
Adult assembly required.

© 2007 Guidecraft USA  
Englewood, NJ 07631  
(800)524-3555  
www.Guidecraft.com