

G97015 Book Tower Assembly Instructions

For ages 3 and up. Adult assembly required.

⚠ WARNING

Small parts and sharp points may be present prior to assembly.

Care Instructions

To clean your product, use mild soap and water on a damp cloth. Do not use window cleaners or cleaning abrasives as they will scratch the surface and could damage the protective coating.

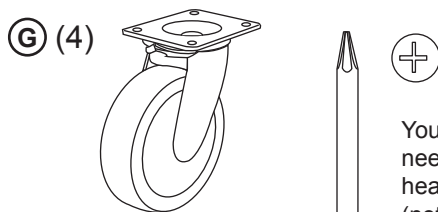
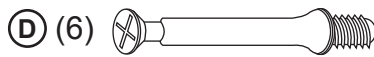
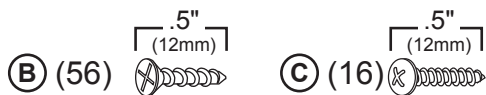
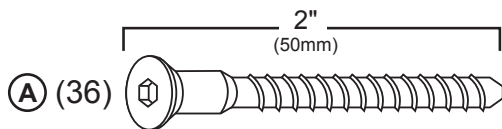
Customer Service

For questions regarding this product, or to receive replacement or missing parts, contact Customer Service at (800) 524-3555. Please have the model number and part number(s) located in this Assembly Instruction sheet available for reference.

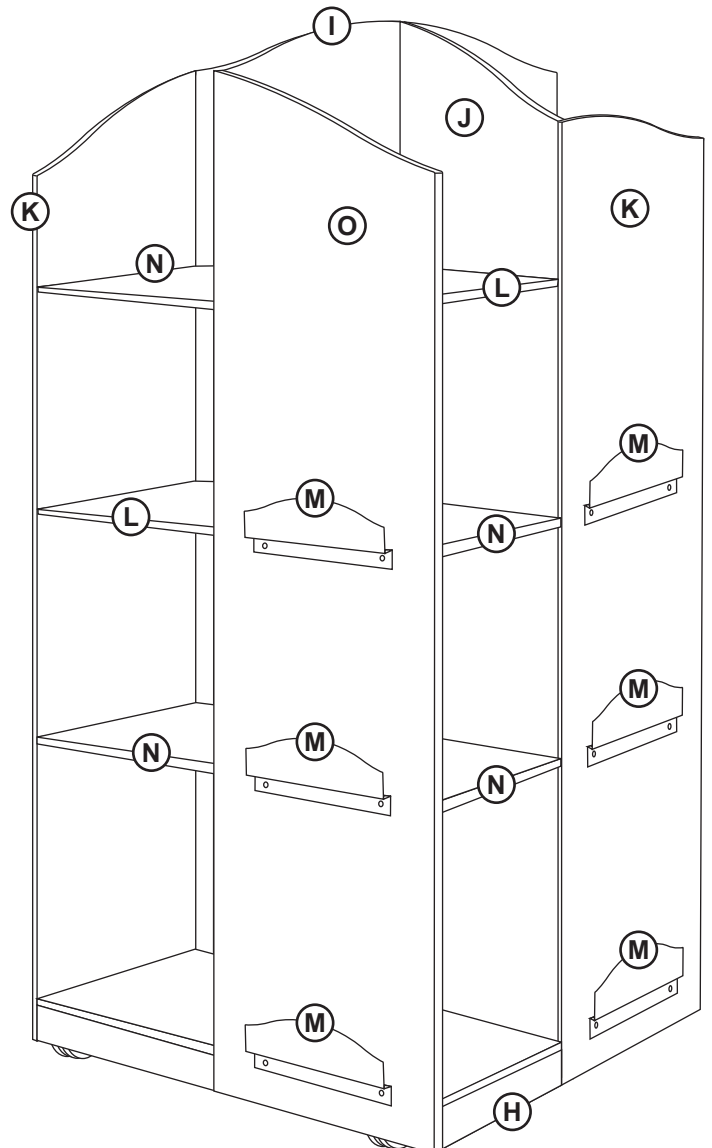
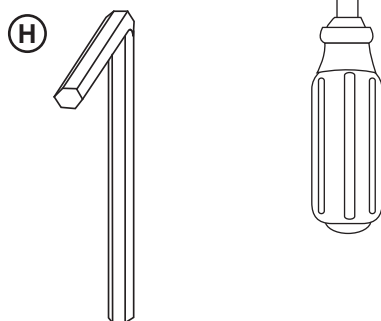
Limited Warranty

All Guidecraft products are warranted to the original purchaser at the time of purchase and for a period of one (1) year thereafter. In order to provide you with timely assistance, please thoroughly inspect your product for missing or defective parts immediately after opening the carton. To receive replacement or missing parts under this warranty, contact Customer Service. You will also need your sales receipt or other proof of purchase.

Hardware and Parts



You will also need a Phillips-head screwdriver (not included).



Assembly

Diagram 1

1. Attach casters (G) to bottom of base (H) using screw C.

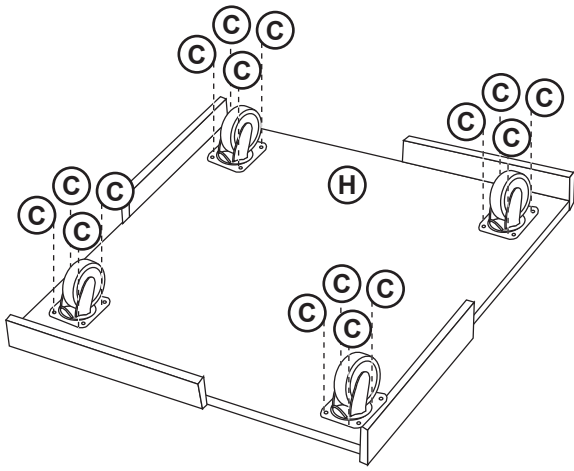


Diagram 1

Diagram 2

1. Using a philips-head screwdriver, screw in cam pins (D) to both sides of center tower (I).
2. Place cam locks (E) in holes in center tower sides (J).
3. Join center tower (I) and center tower sides (J) together. Using a philips-head screwdriver, tighten cam locks.

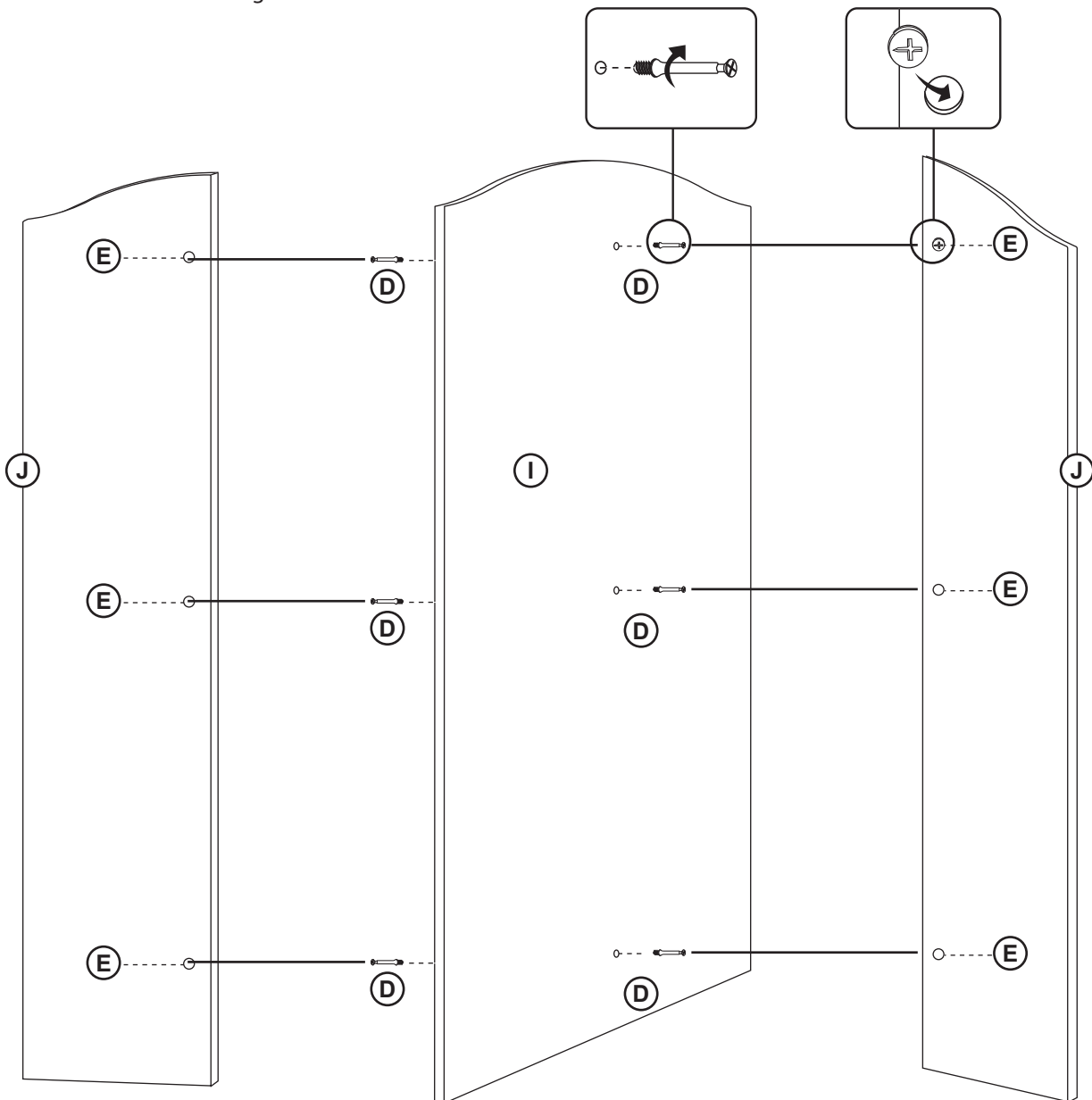


Diagram 2

Assembly (continued)

Diagram 3

1. Attach assembled tower center (I) and tower sides (J) to base (H) using screws A.

Diagram 4

1. Attach outer tower sides (K and O) to tower side (J) and base (H) using screw A. Repeat on all four sides.

NOTE: Parts K and O alternate. Please follow the diagram below.

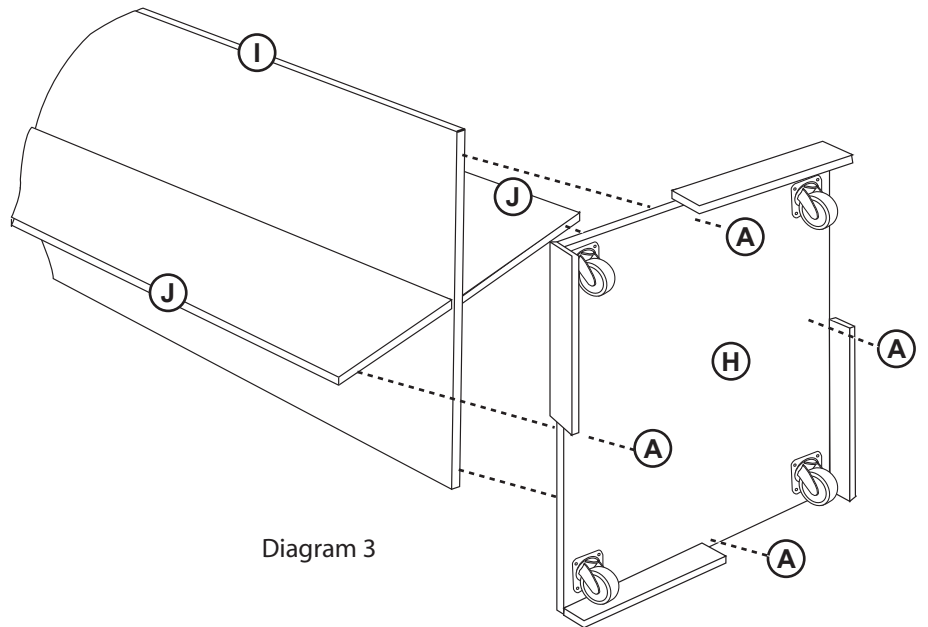


Diagram 3

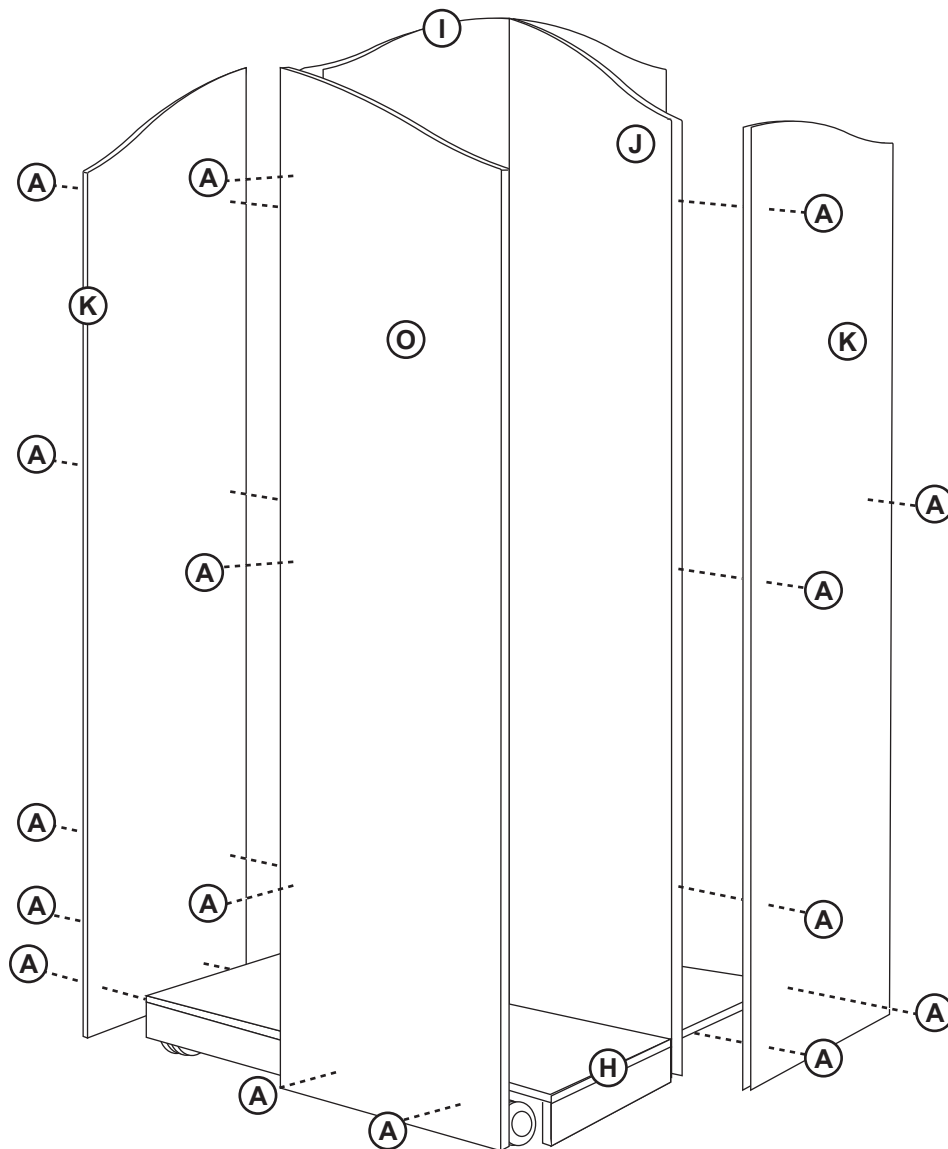


Diagram 4

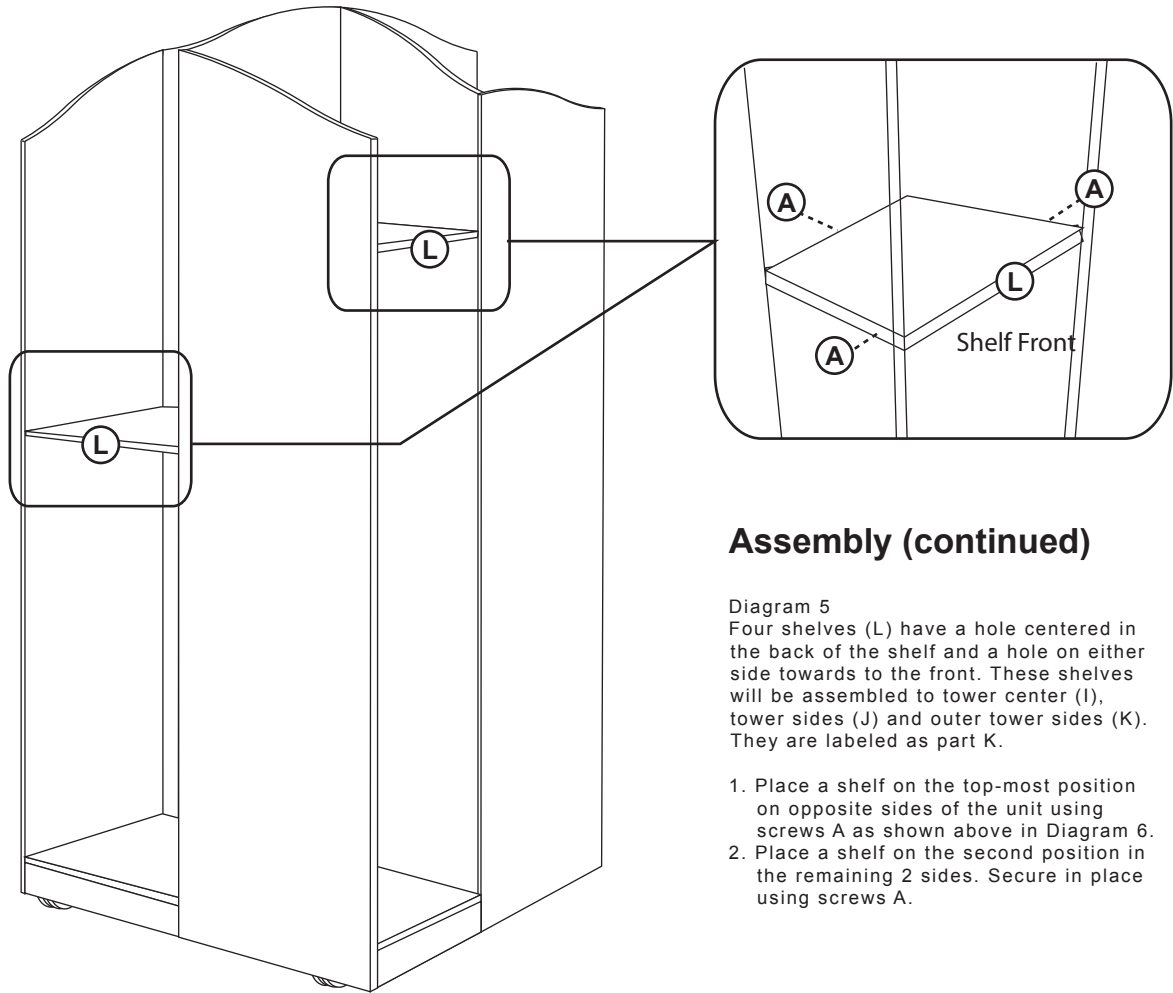


Diagram 5

Assembly (continued)

Diagram 5

Four shelves (L) have a hole centered in the back of the shelf and a hole on either side towards the front. These shelves will be assembled to tower center (I), tower sides (J) and outer tower sides (K). They are labeled as part K.

1. Place a shelf on the top-most position on opposite sides of the unit using screws A as shown above in Diagram 6.
2. Place a shelf on the second position in the remaining 2 sides. Secure in place using screws A.

Diagram 6

1. Attach book brackets to outer tower sides (M) using screw B. Repeat on all four sides.
2. Place shelf clips (F) into remaining holes on inside of tower sides (J) and outer tower sides (K).
3. Lay remaining shelves (N) into place. Use screw B to secure shelves to shelf clips.

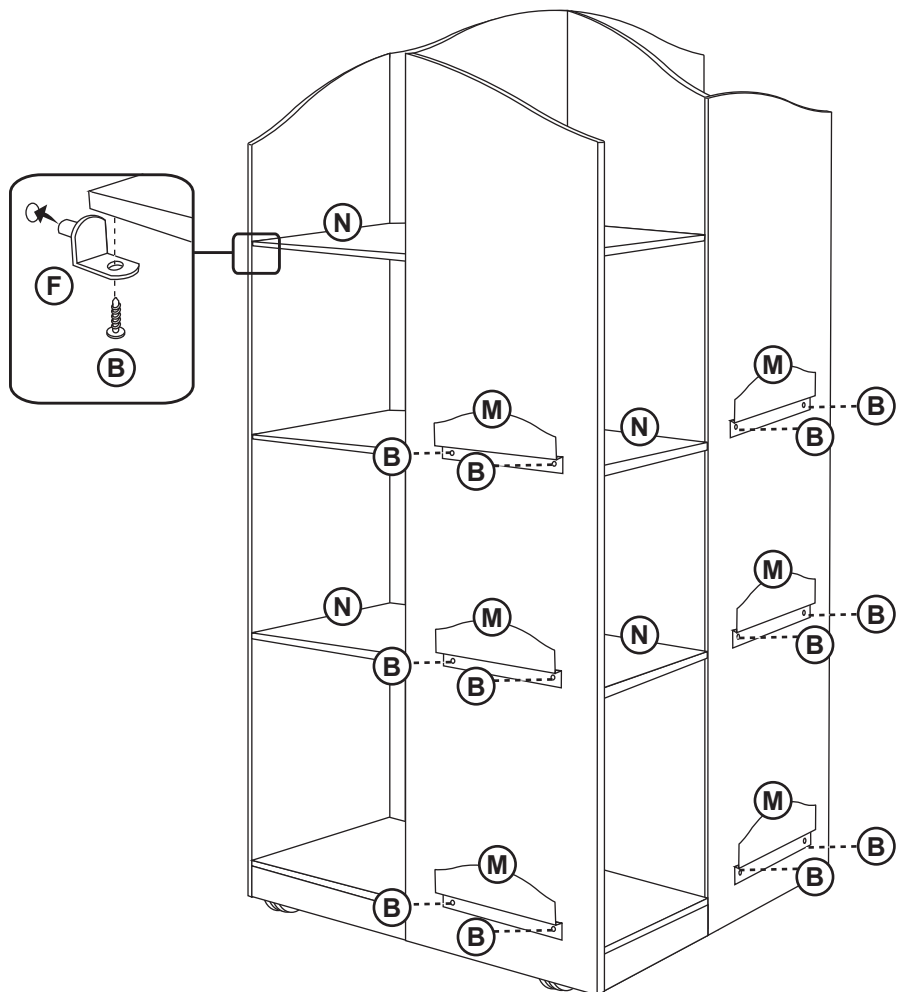


Diagram 6